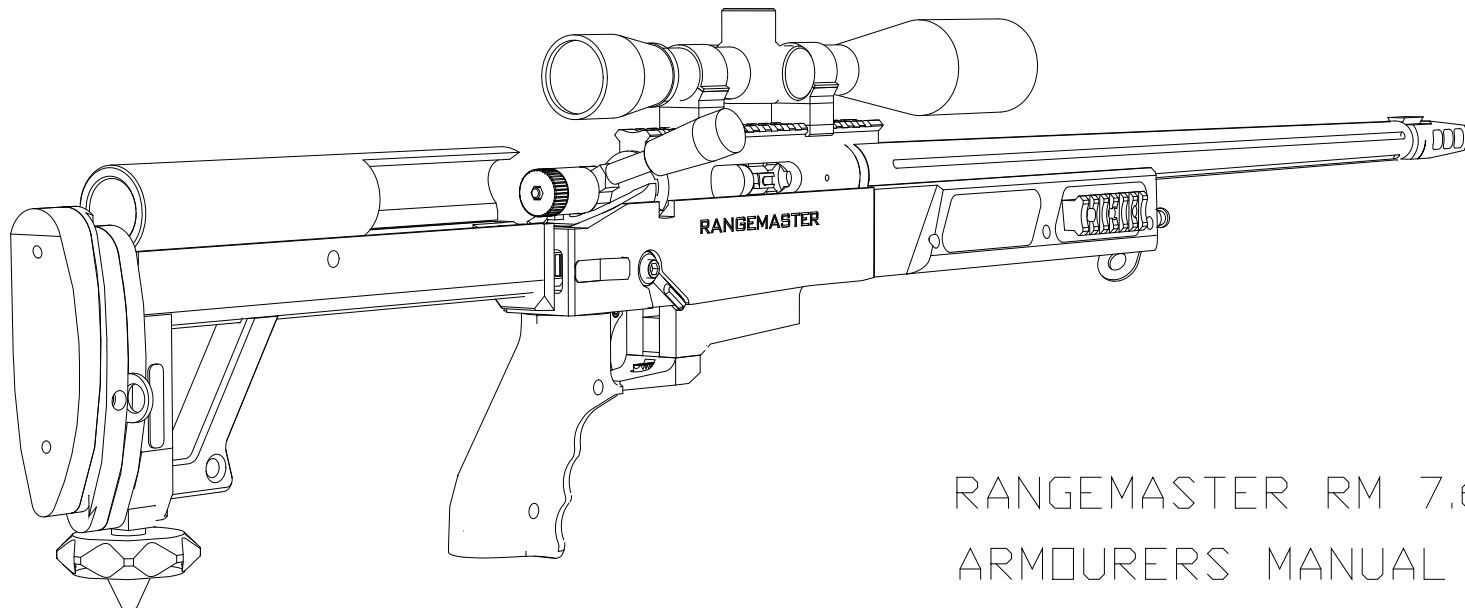
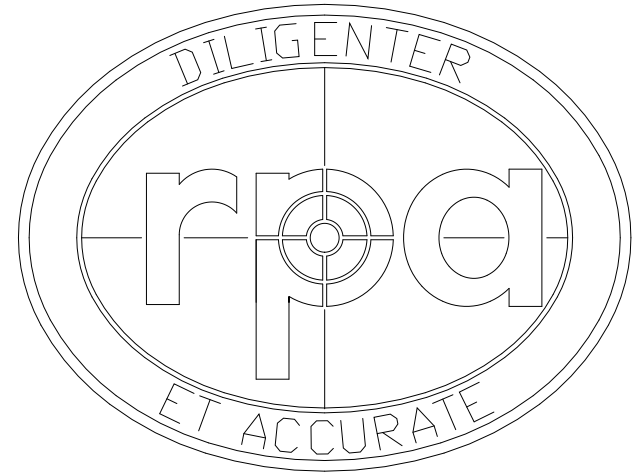
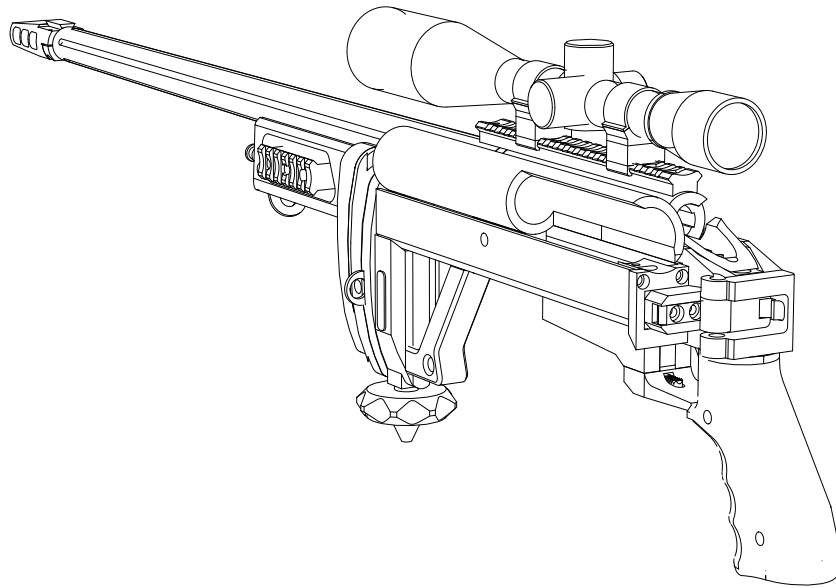


TITLE



RANGEMASTER RM 7.62 RIFLES  
ARMOURERS MANUAL

SPARE PARTS



## ORDERING PARTS

PLEASE CONTACT YOUR LOCAL RPA DEALER OR CALL RPA INTERNATIONAL  
QUOTING THE SERIAL NUMBER OF YOUR FIREARM TO RECIEVE A PARTS  
LIST AND IDENTIFY PARTS TO ORDER

SEND OR FAX INFORMATION TO YOUR LCAL RPA DEALER OR;

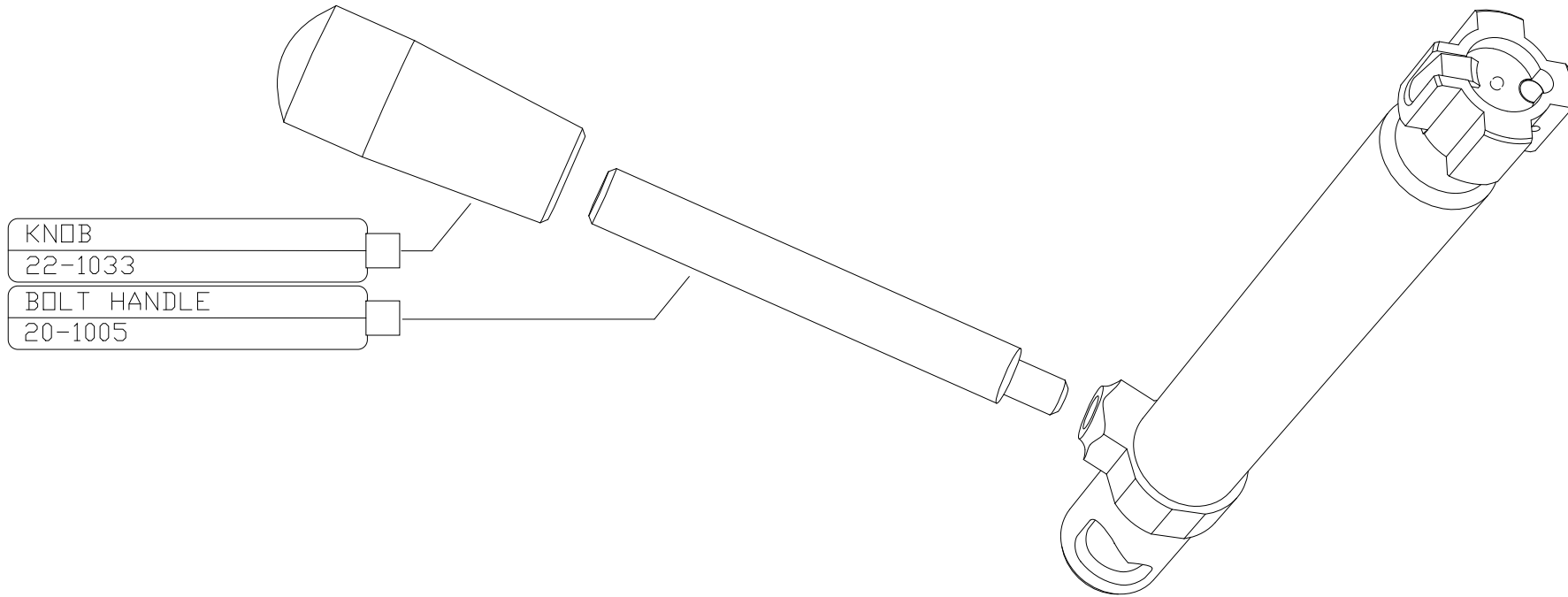
RPA INTERNATIONAL LTD  
PO BOX 441  
TONBRIDGE  
KENT  
ENGLAND  
TN9 9DZ

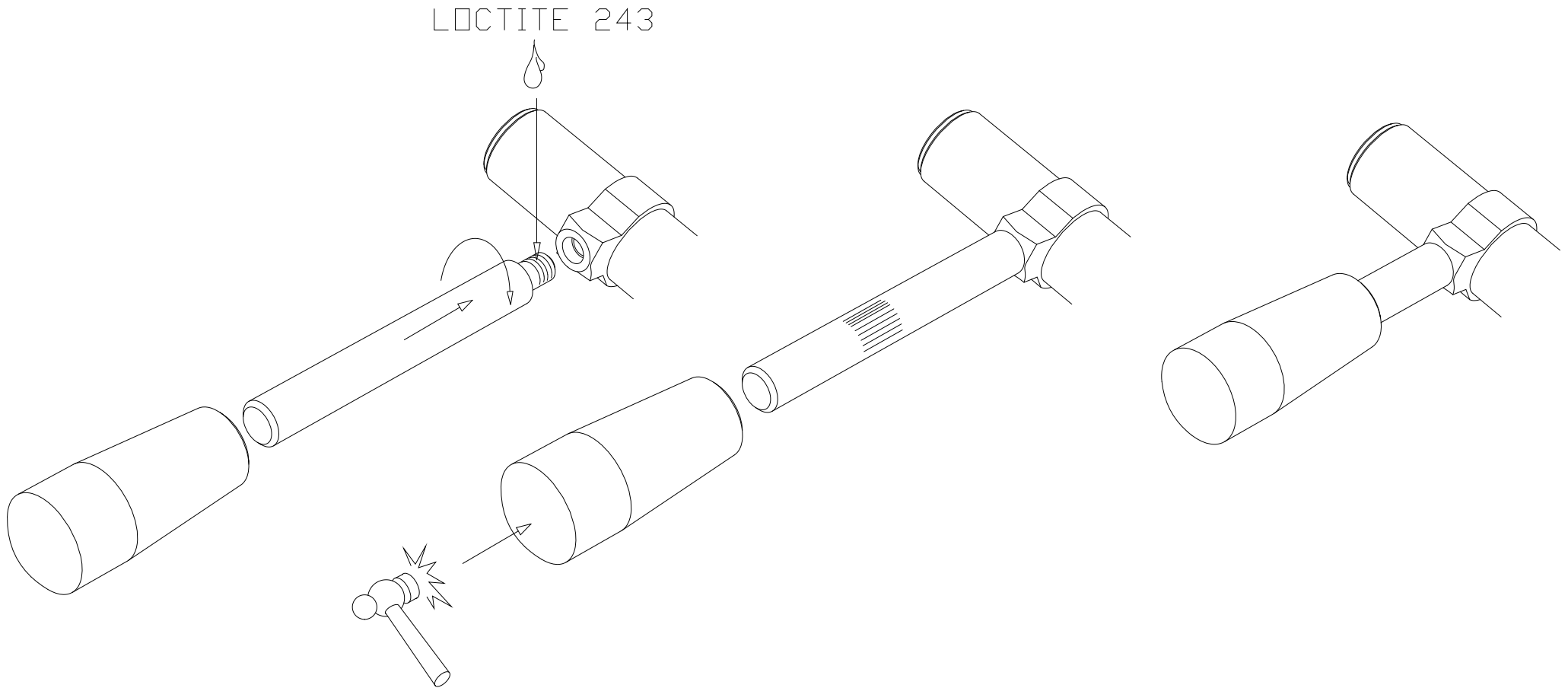
TEL +44 845 880 3222  
FAX +44 845 880 3232  
EMAIL [INFO@RPAINTERNATIONAL.CO.UK](mailto:INFO@RPAINTERNATIONAL.CO.UK)  
[WWW.RPAINTERNATIONAL.CO.UK](http://WWW.RPAINTERNATIONAL.CO.UK)

RM 762 BOLT HANDLE ASSEMBLY



03-01





AFFIXING THE BOLT HANDLE

CLEAN THE BOLT HANDLE, APPLY STUDLOCK (LOCTITE 243) TO THE THREAD AND FASTEN SECURELY. TAP ON THE KNOB.

TO REMOVE THE BOLT HANDLE YOU WILL NEED TO HEAT THE GLUED PART UNTIL THE STUDLOCK BREAKS