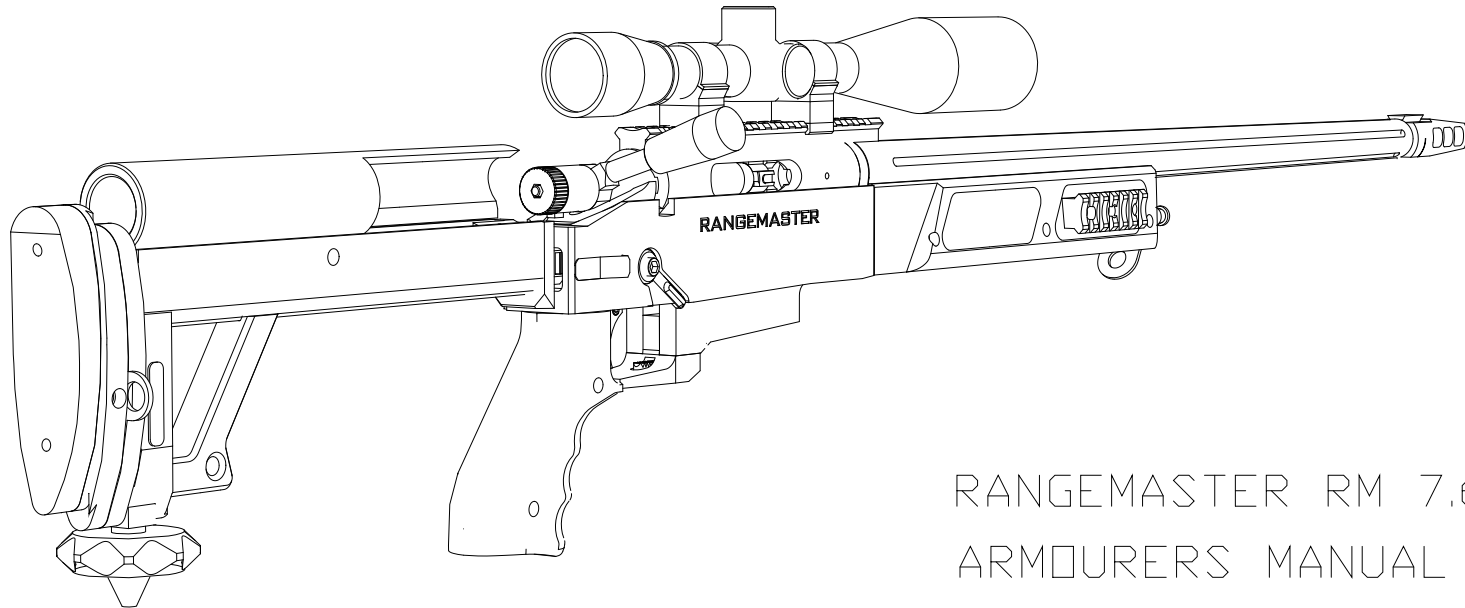
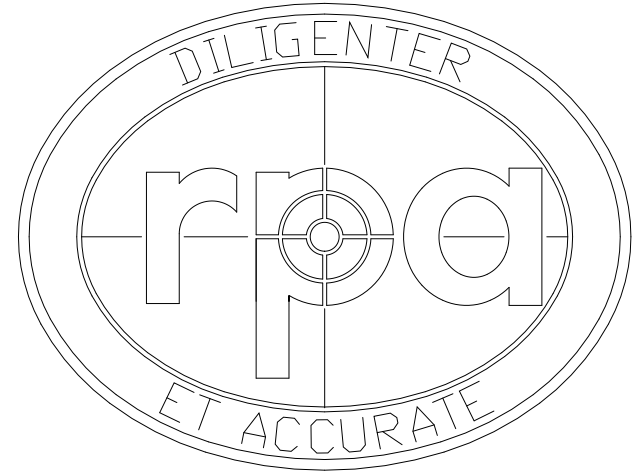
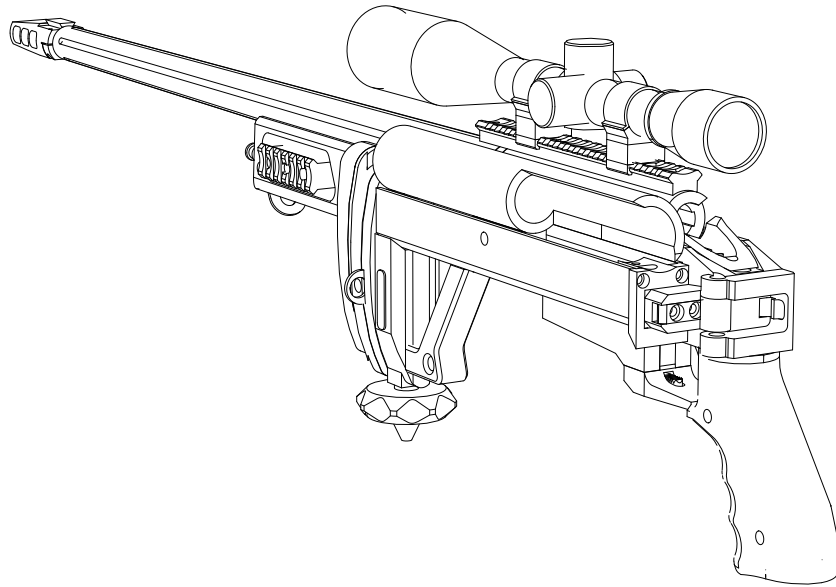


TITLE



RANGEMASTER RM 7.62 RIFLES
ARMOURERS MANUAL

SPARE PARTS



ORDERING PARTS

PLEASE CONTACT YOUR LOCAL RPA DEALER OR CALL RPA INTERNATIONAL
QUOTING THE SERIAL NUMBER OF YOUR FIREARM TO RECIEVE A PARTS
LIST AND IDENTIFY PARTS TO ORDER

SEND OR FAX INFORMATION TO YOUR LCAL RPA DEALER OR;

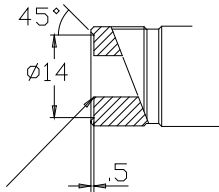
RPA INTERNATIONAL LTD
PO BOX 441
TONBRIDGE
KENT
ENGLAND
TN9 9DZ

TEL +44 845 880 3222
FAX +44 845 880 3232
EMAIL INFO@RPAINTERNATIONAL.CO.UK
WWW.RPAINTERNATIONAL.CO.UK

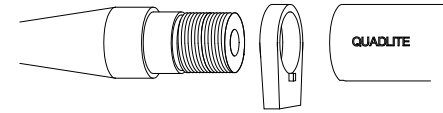
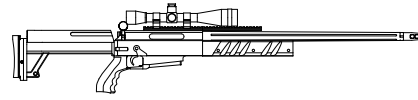
ALL DIMENSIONS IN mm

DO NOT SCALE

SCRAP VIEW OF CROWN



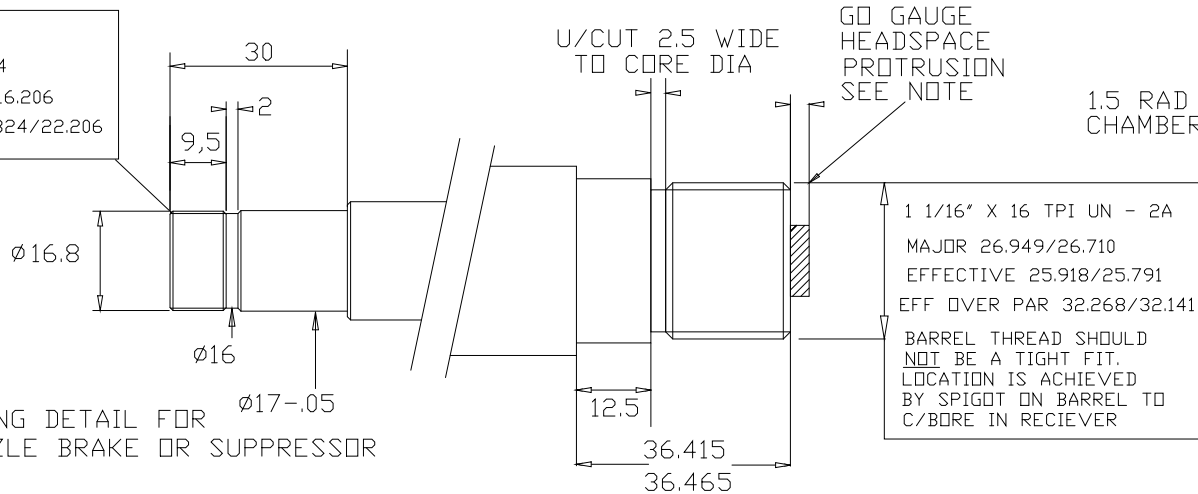
45° BREAK TO .1mm ABOVE MAJOR DIA
 MUST BE CLEAN, CONCENTRIC AND BURR FREE



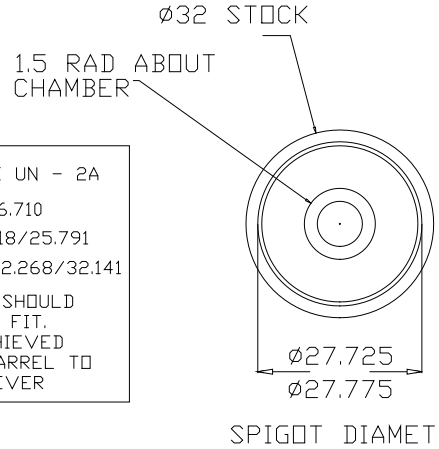
Rev	Date	Description	Dr'n	Ch'kd	App'd
1	11.02.05	RE DRAWN	EL		
2	11.07.05	DRAWING ERROR RECTIFIED	EL		

NOTES:
 HEADSPACE PROTRUSION
 12mm CASES @ 3.175mm±.025
 11mm CASES @ 3.175mm±.025
 9.5mm CASES @ 2.745mm±.025

M17 X 1mm PITCH
 MAJOR 16.974/16.794
 EFFECTIVE 16.324/16.206
 EFF OVER PAR 22.324/22.206



THREADING DETAIL FOR RPA MUZZLE BRAKE OR SUPPRESSOR



THIS DIMENSION INCLUDES A MACHINING ALLOWANCE:

DO NOT BE TEMPTED TO MAKE YOUR HEADSPACE TOO TIGHT..REMEMBER YOUR SHOOTING ENVIROMENT,DIRT,DUST,TEMPERATURE,VARNISHED CASES AND VARIATIONS IN AMMUNITION DIMENSIONAL ACCURACY

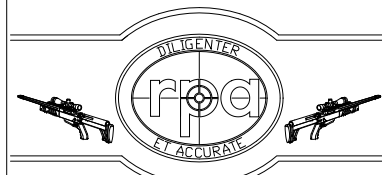
ALL DIAMETERS TO BE CONCENTRIC ABOUT BORE.MAX .025 TIR

THIS IS AN AUTOCAD GENERATED DRAWING.
 DO NOT MODIFY BY HAND.

GENERAL TOLERANCE:
 ±0.1mm - ±0.5'
 ALL M/C DIMENSIONS - UNLESS STATED

MATERIAL:

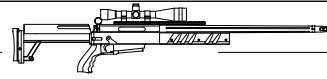
FINISH:



TITLE
 QUADLITE BARREL
 THREADING DETAIL
 1 1/16" X 16 TPI UN-2A

SCALE - DRG./STK.No. 31-LITE

ALL DIMS IN mm



DO NOT SCALE

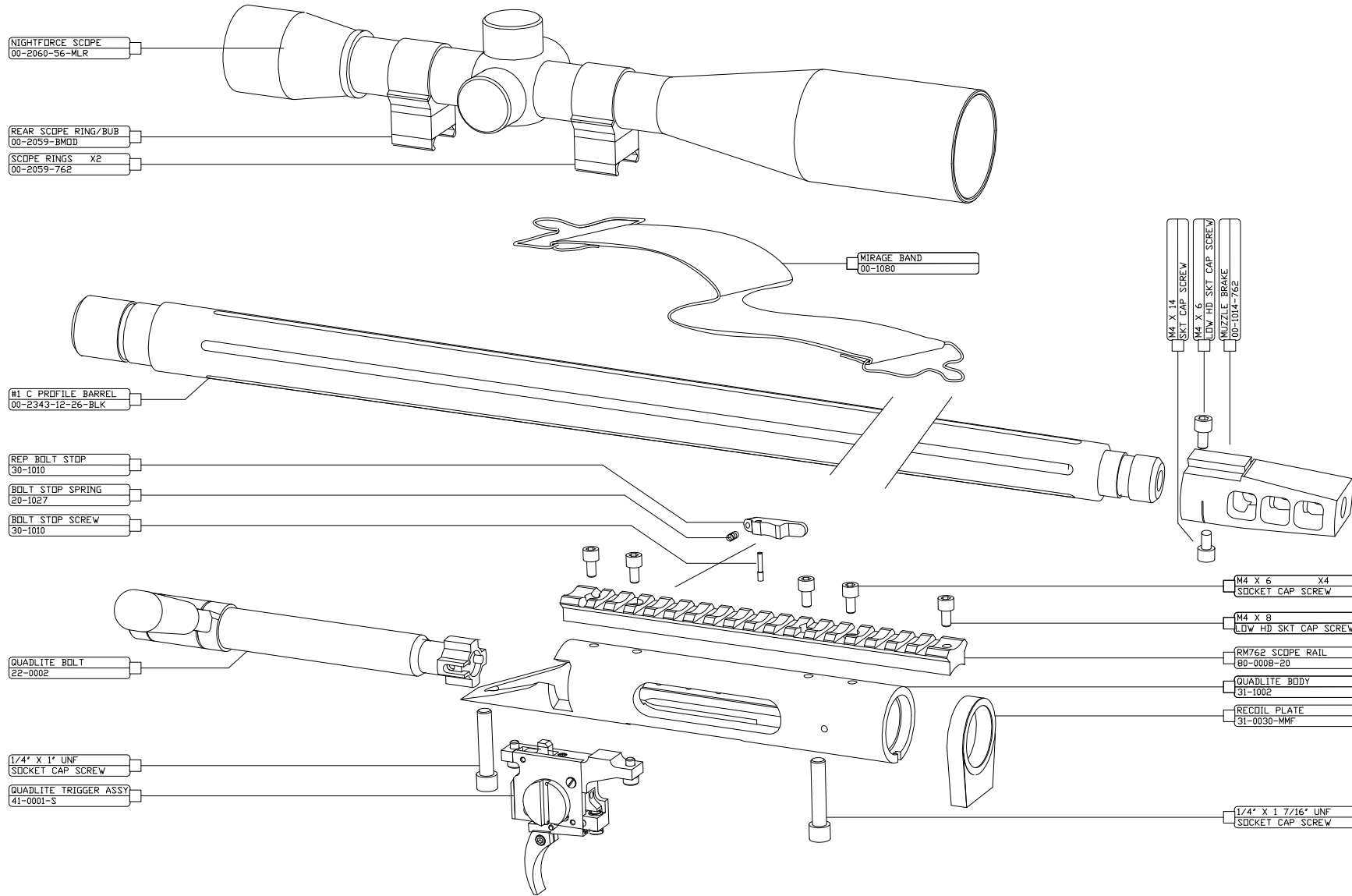
Rev	Date	Description	Dr'n	Ch'kd	App'd
0	24.01.07	1ST ISSUE			

GENERAL TOLERANCE:
 $\pm 0.1\text{mm}$ $\pm 0.25^\circ$ $\sqrt{32-16}$
 ALL M/C DIMENSIONS - UNLESS STATED

MATERIAL:

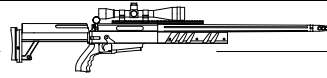
FINISH:

ASSOCIATED ASSY No. -



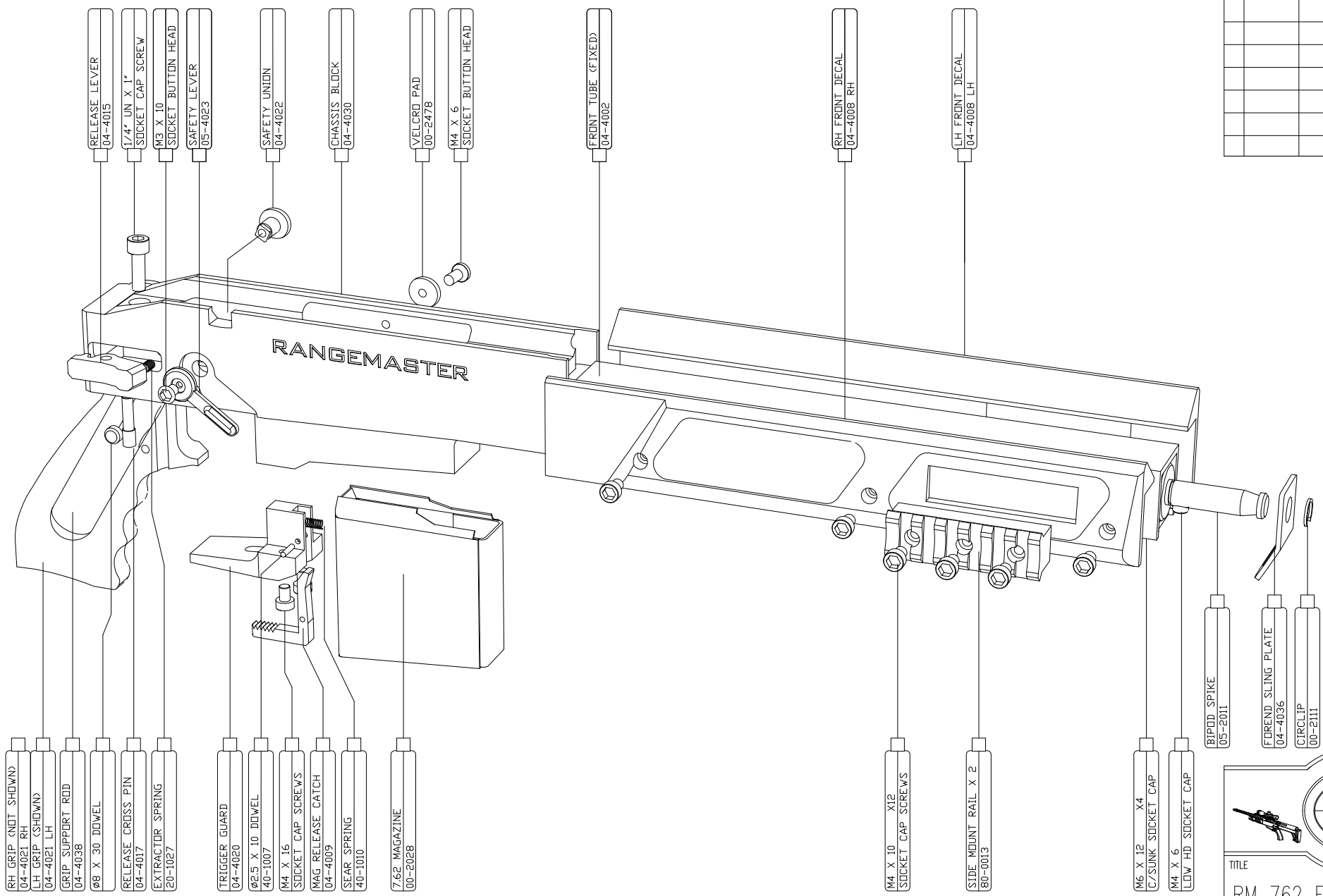
TITLE
BARRELED ACTION ASSY
 DRG. No. 03-0001

ALL DIMS IN mm



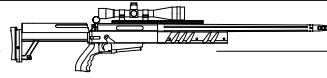
DO NOT SCALE

Rev	Date	Description	Dr'n	Ch'kd	App'd
0	01.01.07	1ST ISSUE	EL		

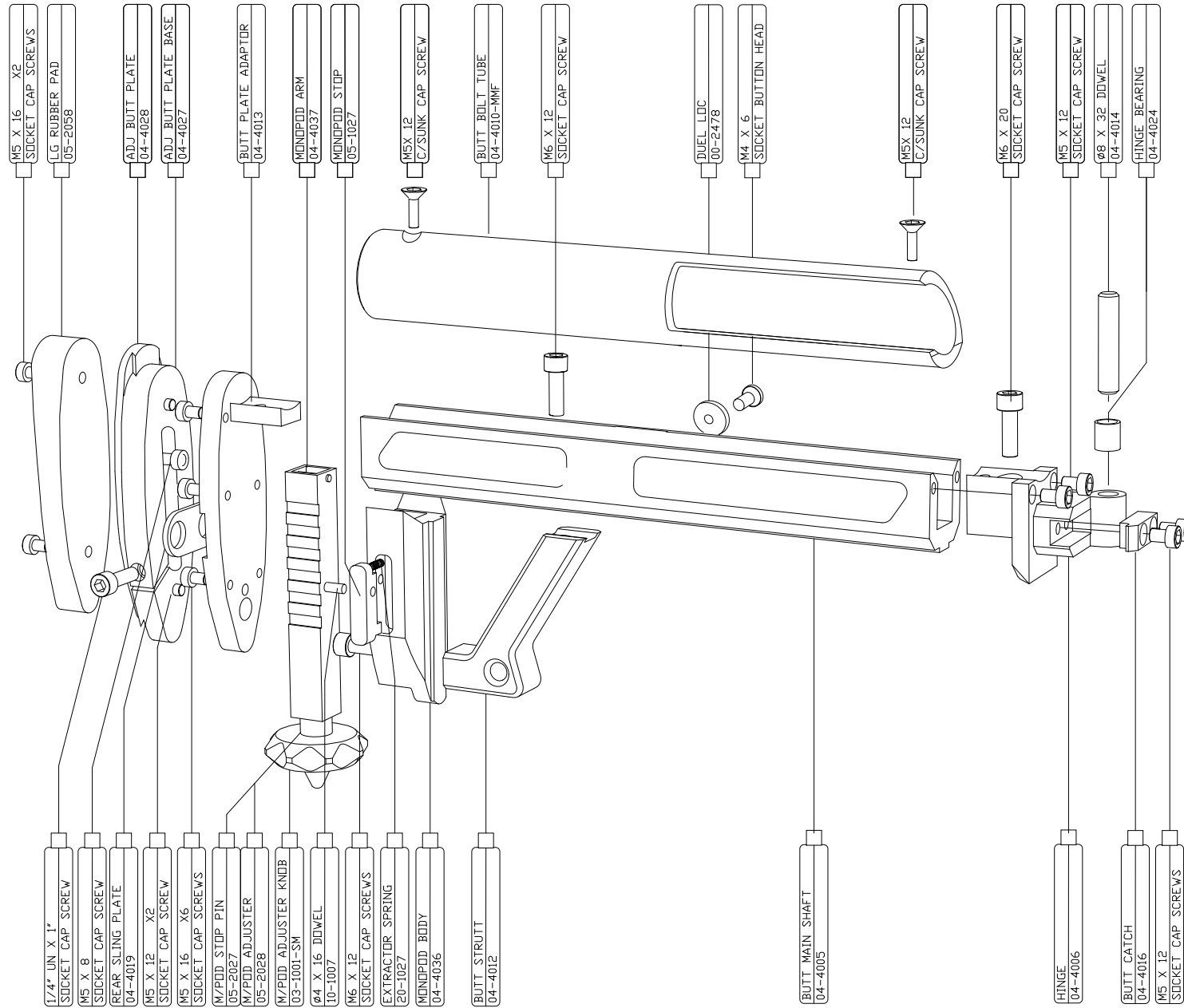


TITLE
RM 762 FRONT STOCK ASSY
 DRG. No. **03-0024B-FS**

ALL DIMS IN mm



DO NOT SCALE



Rev	Date	Description	Dr'n	Ch'kd	App'd
0	01.01.07	1ST ISSUE	EL		

TITLE
RM 762 REAR STOCK ASSY

DRG. No. **03-0024A-FS**